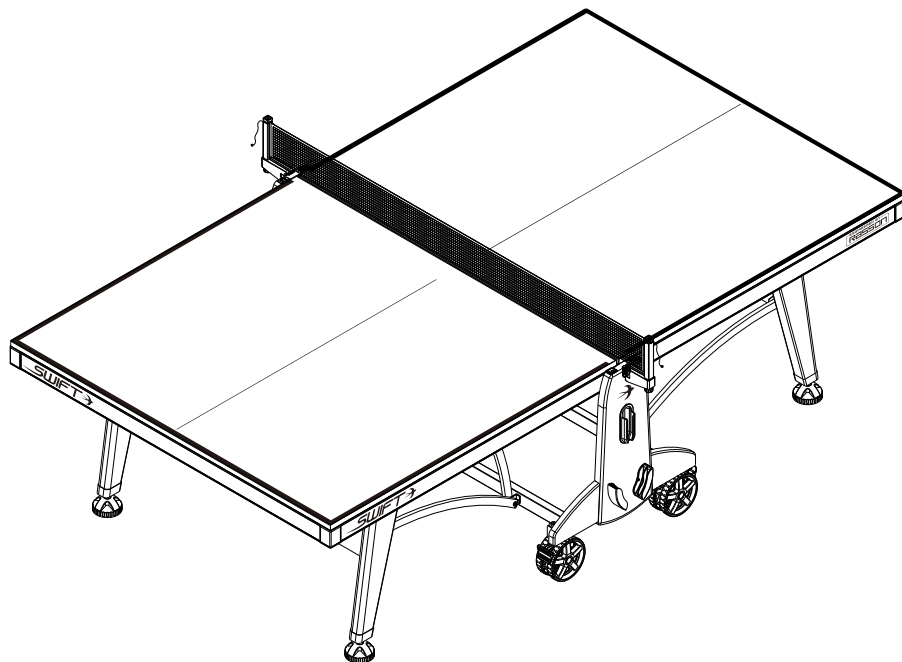




**Challenger**

















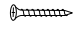

# TABLE TENNIS TABLE




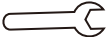
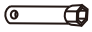


## **TABLE TENNIS TABLE ASSEMBLY INSTRUCTIONS**

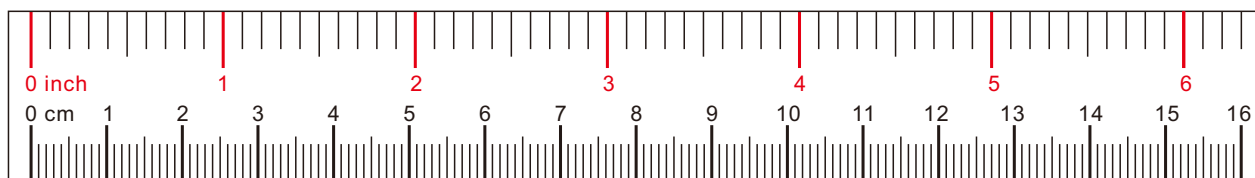
Mar.2023

## TABLE TENNIS TABLE HARDWARE




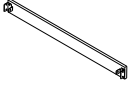
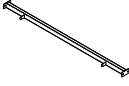



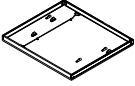





| PACKAGE              | ITEM# | SAMPLE  |               | DESCRIPTION                                    | QTY. |
|----------------------|-------|---|---------------|--|------|
| LEG/CABINET          | H1    |    | R-1-T02-1-PP  | HEX HEAD CROSS BOLT<br>1/4" X 1-3/4"(M6X45mm)  | 8    |
|                      | H2    |    | R-1-T02-2-PP  | HEX HEAD BOLT<br>1/2" X 7"(M12X180mm)          | 4    |
|                      | H3    |    | R-1-T02-3-PP  | BEARING<br>1/2" I.D.                           | 8    |
|                      | H4    |    | R-1-T02-4-PP  | SKID NUT<br>1/2" I.D.                          | 4    |
|                      | H5    |    | R-1-T01-1-PP  | HEX HEAD CROSS BOLT<br>1/4" X 2-5/32"(M6X55mm) | 4    |
|                      | H6    |    | R-1-T01-5-PP  | NYLON WASHER<br>1/4" I.D.                      | 8    |
|                      | H7    |    | R-1-T01-4-PP  | FLAT WASHER<br>1/4" I.D.                       | 4    |
|                      | H8    |   | R-1-T01-2-PP  | SKID NUT<br>1/4" I.D.                          | 4    |
| TABLE TOP/STRUT/CLIP | H9    |  | R-1-T01-6-PP  | HEX HEAD CROSS BOLT<br>1/4" X 5/8"(M6X15mm)    | 8    |
|                      | H10   |  | R-1-T01-9-PP  | HEX HEAD CROSS BOLT<br>1/4" X 2-3/4"(M6X70mm)  | 4    |
|                      | H11   |  | R-1-T01-8-PP  | NYLON BUSHINGS<br>1/4" I.D.                    | 8    |
|                      | H12   |  | R-1-T01-2-PP  | SKID NUT<br>1/4" I.D.                          | 4    |
|                      | H13   |  | R-1-T01-10-PP | HEX HEAD CROSS BOLT<br>1/4" X 1-3/16"(M6X30mm) | 8    |
|                      | H14   |  | R-1-T01-5-PP  | NYLON WASHER<br>1/4" I.D.                      | 8    |
|                      | H15   |  | R-1-T01-4-PP  | FLAT WASHER<br>1/4" I.D.                       | 8    |
|                      | H16   |  | R-1-T01-2-PP  | SKID NUT<br>1/4" I.D.                          | 8    |
|                      | H17   |  | R-1-T01-11-PP | FLAT HEADED SCREW<br>1/8" X 5/8"(M3X15mm)      | 8    |
|                      | H18   |  | R-1-T01-12-PP | FLAT HEADED SCREW<br>1/8" X 1/2"(M3X12mm)      | 4    |

# TABLE TENNIS TABLE HARDWARE

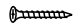

| PACKAGE | ITEM# | SAMPLE  |               | DESCRIPTION      | QTY.     |
|---------|-------|---|---------------|------------------|----------|
|         |       |   |               |                  |          |
|         |       |   |               |                  |          |
|         |       |   |               |                  |          |
|         |       |   |               |                  |          |
|         |       |   |               |                  |          |
|         |       |   |               |                  |          |
|         |       |   |               |                  |          |
|         |       |   |               |                  |          |
|         |       |   |               |                  |          |
|         |       |   |               |                  |          |
| TOOLS   | T1    |  | R-1-T02-41-PP | <b>1/4"(M6)</b>  | <b>1</b> |
|         | T2    |  | R-1-T02-42-PP | <b>1/4"(M6)</b>  | <b>1</b> |
|         | T3    |  | R-1-T02-43-PP | <b>1/2"(M12)</b> | <b>1</b> |
|         | T4    |  | R-1-T02-44-PP | <b>1/2"(M12)</b> | <b>1</b> |
|         | T5    |  | R-1-T02-45-PP | <b>1/8"(M3)</b>  | <b>1</b> |



## TABLE TENNIS TABLE COMPONENT PARTS

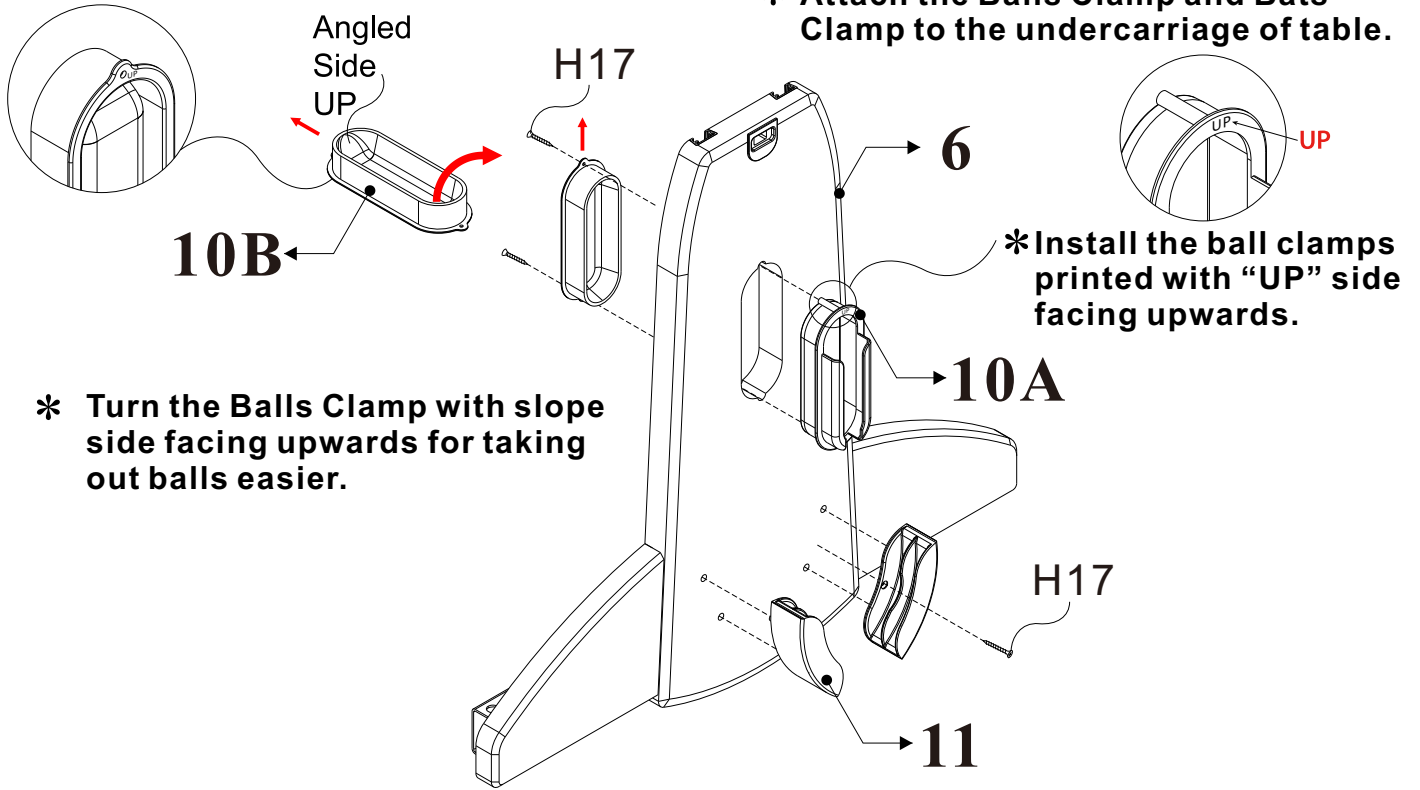
| PACKAGE           | ITEM# | SAMPLE  |               | DESCRIPTION             | QTY. |
|-------------------|-------|---|---------------|-------------------------|------|
| <b>LEG</b>        | 1     |    | R-1-T02-61-PP | <b>WHEEL WITH BRAKE</b> | 4    |
|                   | 2     |    | R-1-T03-61-PP | <b>LEFT LEG</b>         | 2    |
|                   | 3     |    | R-1-T03-62-PP | <b>RIGHT LEG</b>        | 2    |
|                   | 4     |    | R-1-T03-63-PP | <b>LEG BEAM</b>         | 2    |
| <b>BASE FRAME</b> | 5     |    | R-1-T02-65-PP | <b>BASE BEAM</b>        | 2    |
|                   | 6     |    | R-1-T03-64-PP | <b>UNDERCARRIAGE</b>    | 2    |
| <b>STRUT</b>      | 7     |   | R-1-T02-67-PP | <b>LONG STRUT</b>       | 4    |
|                   | 8     |  | R-1-T02-68-PP | <b>SHORT STRUT</b>      | 4    |
|                   | 9     |  | R-1-T03-65-PP | <b>TABLE TOP</b>        | 2    |
| <b>PLASTIC</b>    | 10    |  | R-1-T01-90-PP | <b>BALLS CLAMP</b>      | 2    |
|                   | 11    |  | R-1-T01-91-PP | <b>BATS CLAMP</b>       | 4    |
|                   | 12    |  | R-1-T01-92-PP | <b>CLIP &amp; NET</b>   | 1    |
|                   | 13    |  | R-1-T01-93-PP | <b>LEG PAD</b>          | 4    |
|                   | 14    |  | R-1-T01-94-PP | <b>PLASTIC PLUG</b>     | 4    |
|                   |       |   |               |                         |      |

**FIG.1**




|   |   |       |
|---|---|-------|
|  | 1/8"x5/8"   | 8 PCS |
| <b>T5</b>   |  |       |

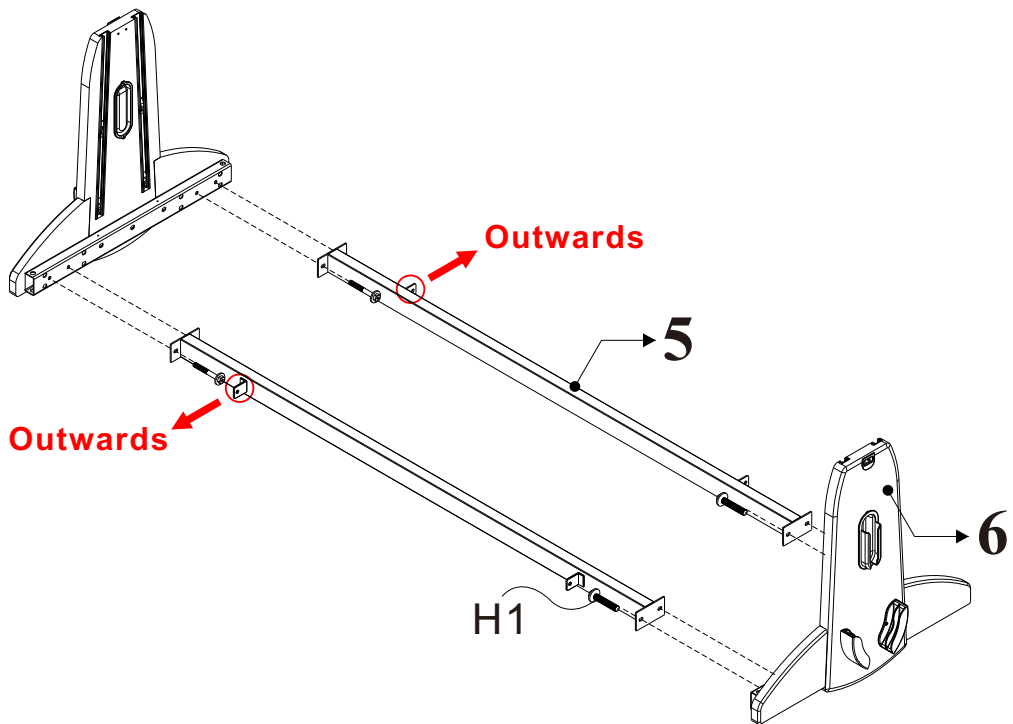





**X 2**



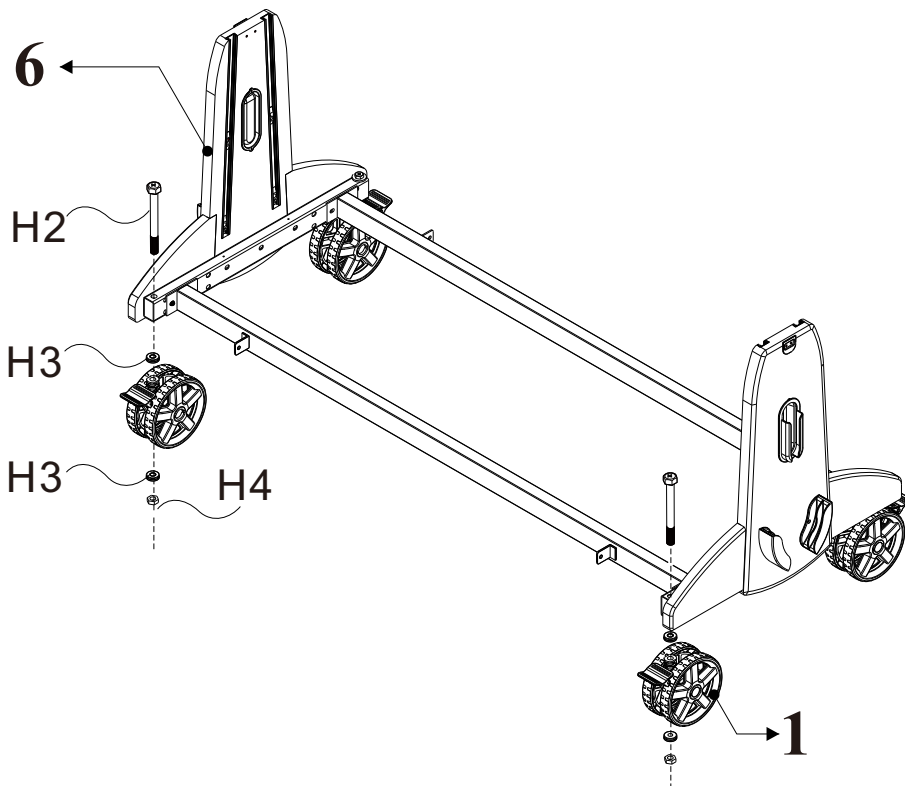
**FIG.2**




|   |   |           |
|---|---|-----------|
|  | 1/4"x1-3/4"   | 8 PCS     |
| <b>T1</b>   |  | <b>T2</b> |
|   |  |           |






|              |   |         |       |   |          |       |   |          |       |
|--------------|---|---------|-------|---|----------|-------|---|----------|-------|
| <b>FIG.3</b> |  | 1/2"x7" | 4 PCS |  | 1/2" ID. | 8 PCS |  | 1/2" ID. | 4 PCS |
|--------------|---|---------|-------|---|----------|-------|---|----------|-------|

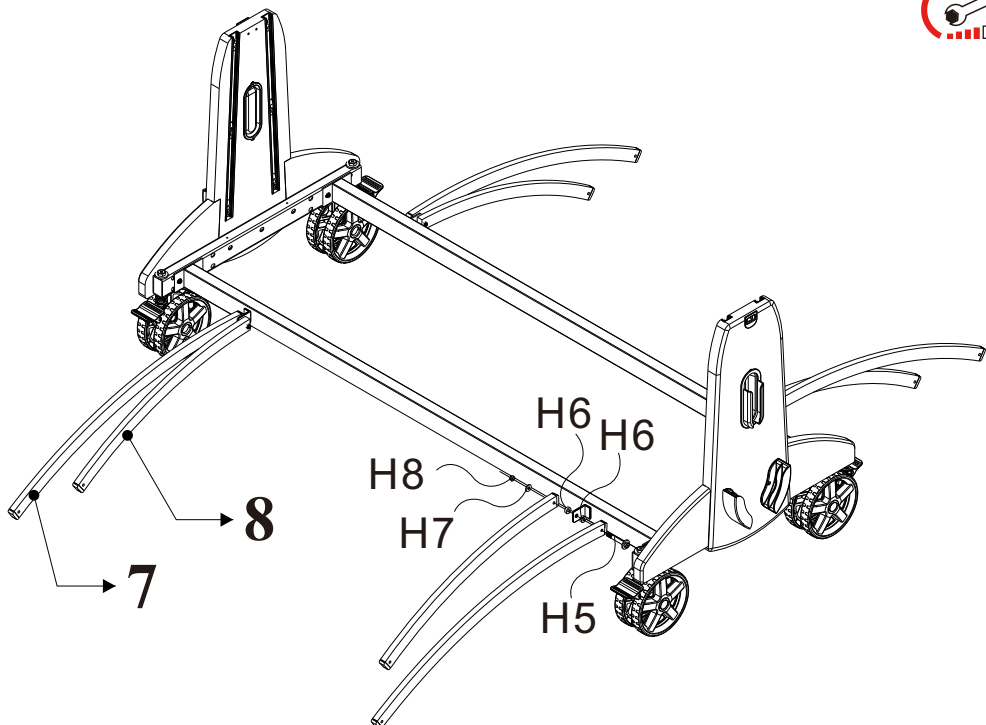
|    |   |    |   |
|----|---|----|---|
| T3 |  | T4 |  |
|----|---|----|---|






|              |   |              |       |   |          |       |   |          |       |
|--------------|---|--------------|-------|---|----------|-------|---|----------|-------|
| <b>FIG.4</b> |  | 1/4"x2-5/32" | 4 PCS |  | 1/4" ID. | 8 PCS |  | 1/4" ID. | 4 PCS |
|--------------|---|--------------|-------|---|----------|-------|---|----------|-------|

|    |   |       |   |   |
|----|---|-------|---|---|
| T1 |  | T2/T5 |  |  |
|----|---|-------|---|---|

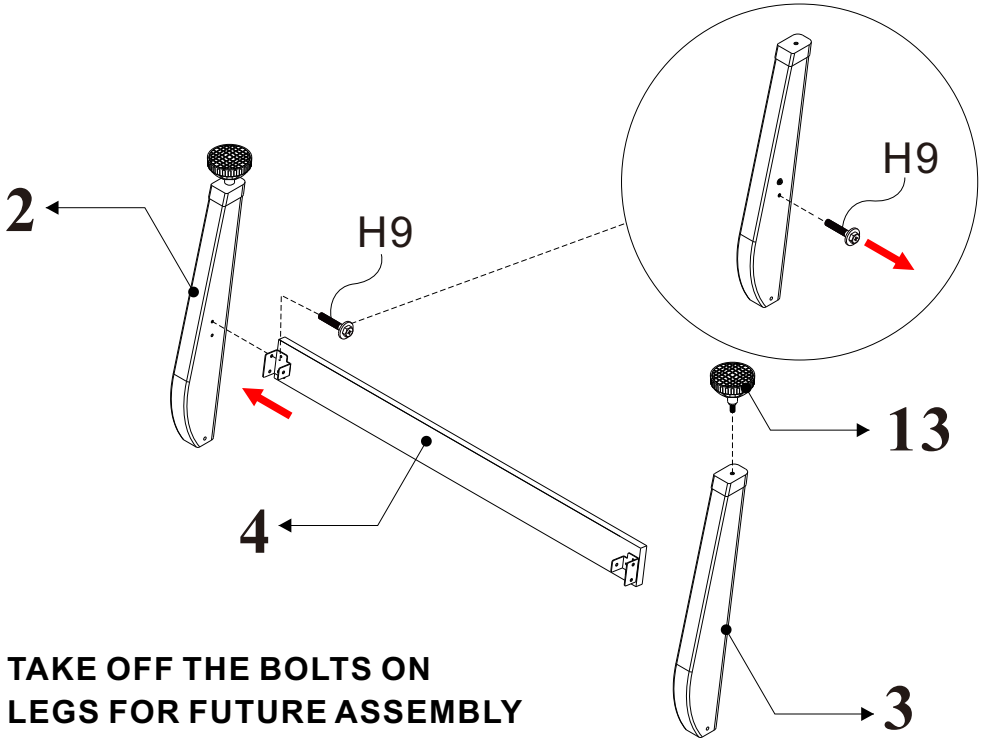
|   |          |       |
|---|----------|-------|
|  | 1/4" ID. | 4 PCS |
|---|----------|-------|






|              |  |  |       |
|--------------|--|--|-------|
| <b>FIG.5</b> |     | 1/4"x5/8"  | 8 PCS |
|              | T1  | T5  |       |



**X 2**

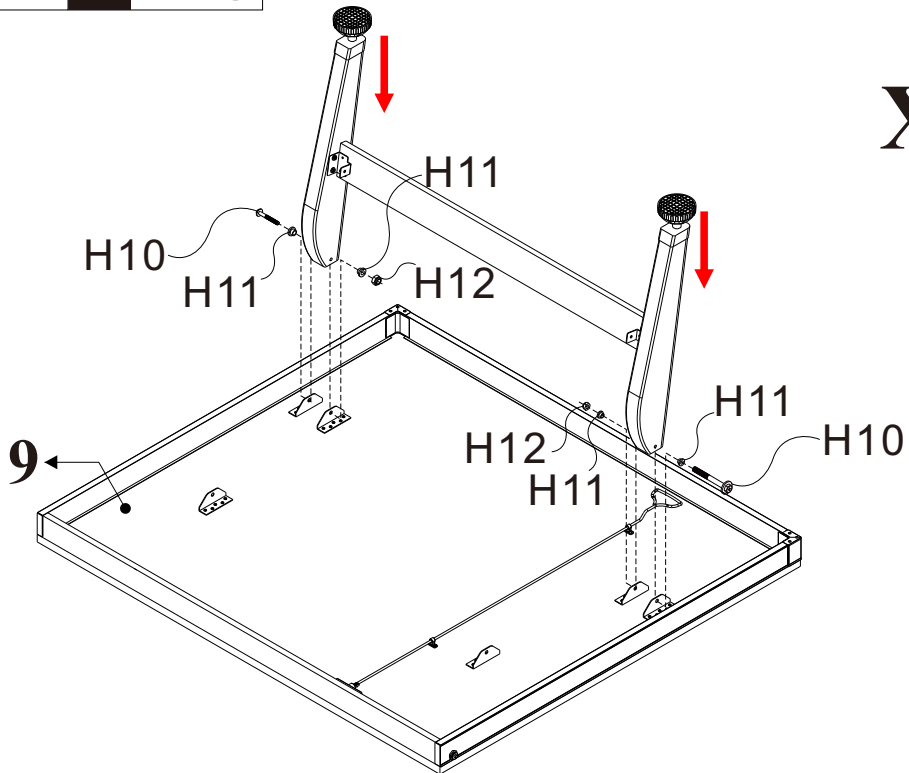


**\* TAKE OFF THE BOLTS ON LEGS FOR FUTURE ASSEMBLY**

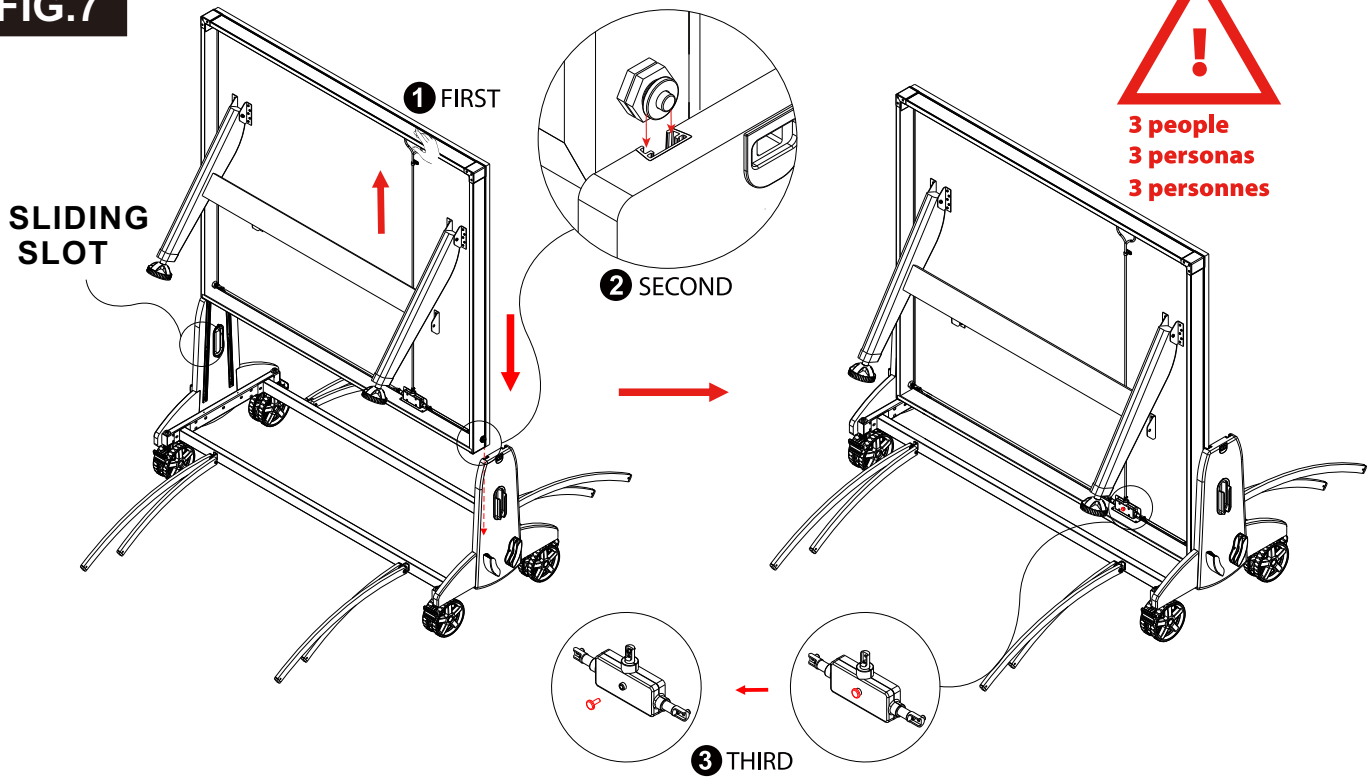
|              |  |  |       |   |          |       |   |          |       |
|--------------|--|--|-------|---|----------|-------|---|----------|-------|
| <b>FIG.6</b> |     | 1/4"x2-3/4"  | 4 PCS |  | 1/4" ID. | 8 PCS |  | 1/4" ID. | 4 PCS |
|              | T1  | T2  |       |   |          |       |   |          |       |



**X 2**

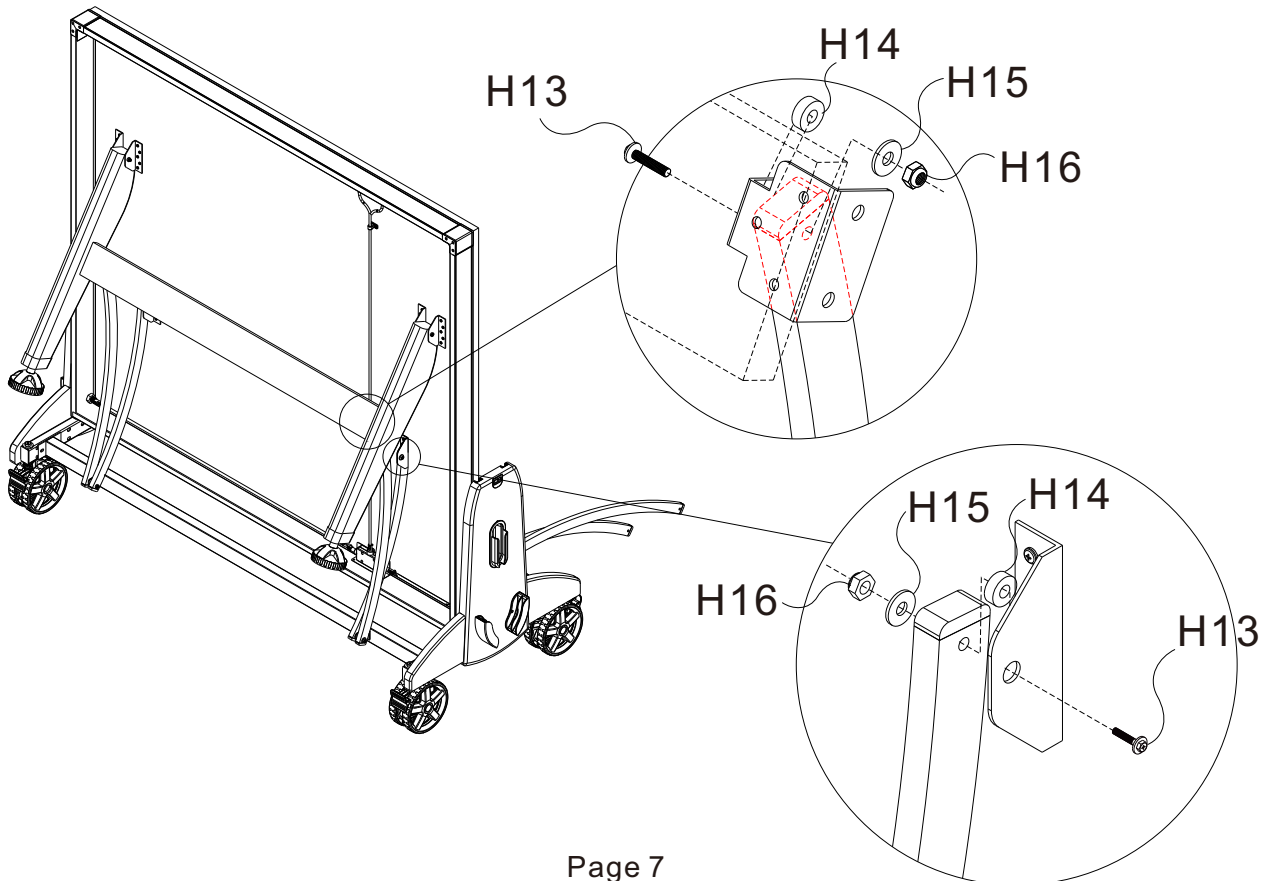


**FIG.7**



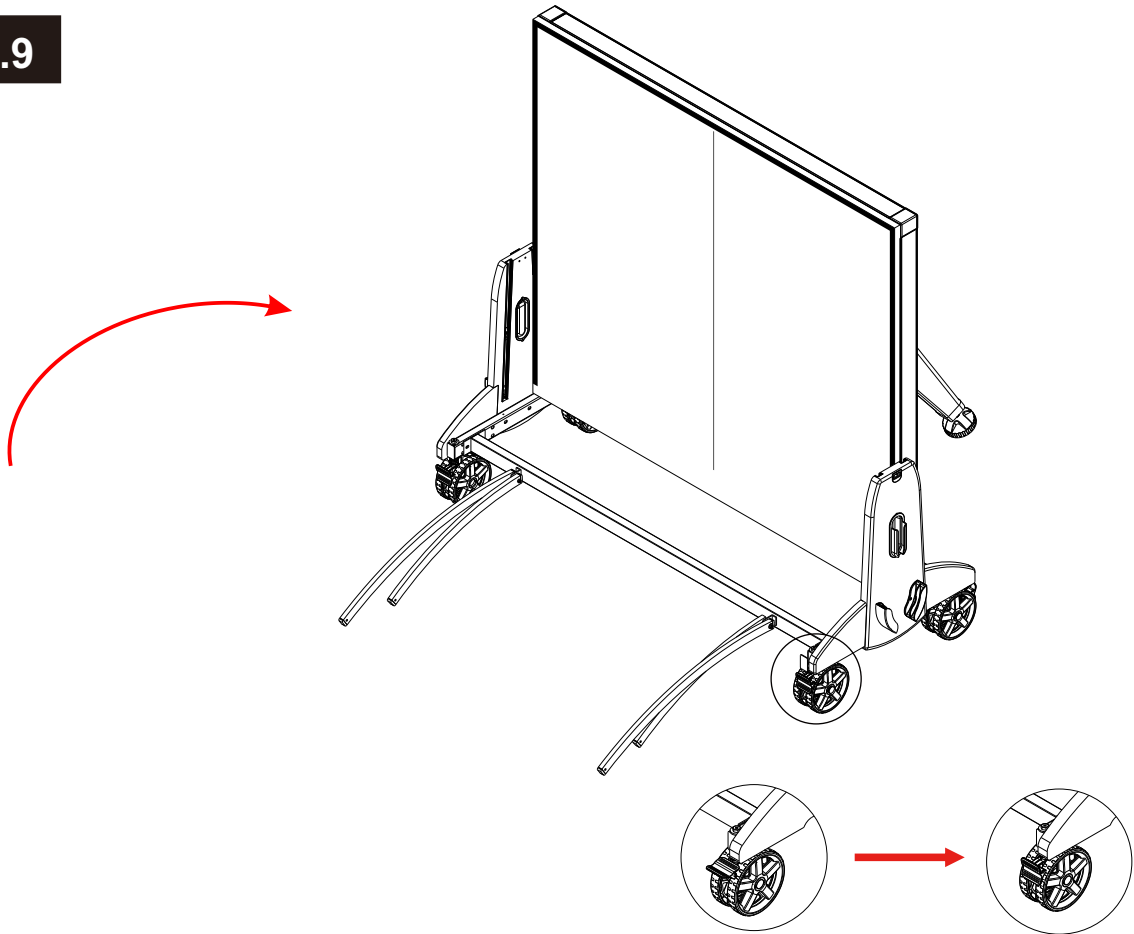
**FIG.8**

|  |              |       |  |          |       |  |              |       |
|--|--------------|-------|--|----------|-------|--|--------------|-------|
|  | 1/4"x1-3/16" | 4 PCS |  | 1/4" ID. | 4 PCS |  | 1/4" ID.     | 4 PCS |
|  |              |       |  |          |       |  | 1/4" ID.     | 4 PCS |
|  |              |       |  |          |       |  | <b>T1</b>    |       |
|  |              |       |  |          |       |  | <b>T2/T5</b> |       |

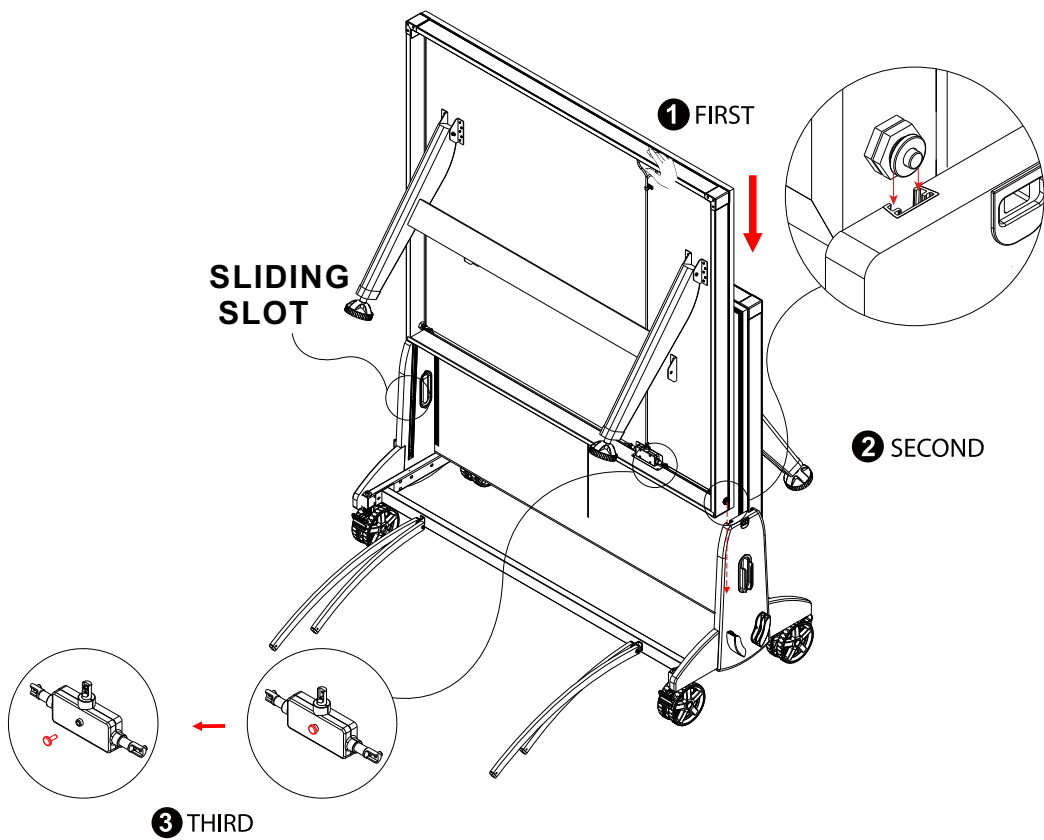








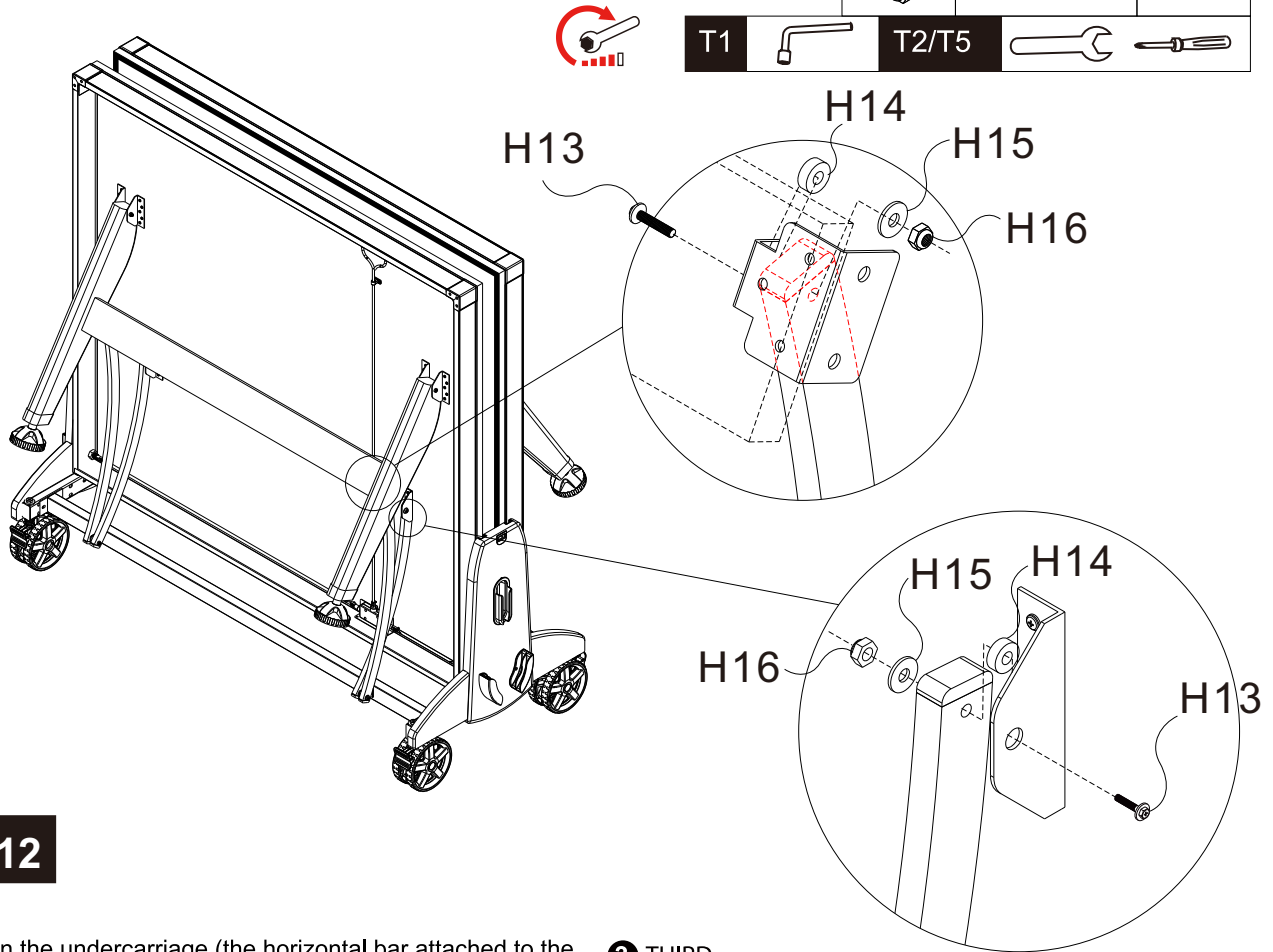
**FIG.9**



**FIG.10**



|               |   |              |       |   |          |       |   |          |       |   |          |       |
|---------------|---|--------------|-------|---|----------|-------|---|----------|-------|---|----------|-------|
| <b>FIG.11</b> |  | 1/4"x1-3/16" | 4 PCS |  | 1/4" ID. | 4 PCS |  | 1/4" ID. | 4 PCS |  | 1/4" ID. | 4 PCS |
|               |   |              |       |   |          |       |   |          |       |   |          |       |

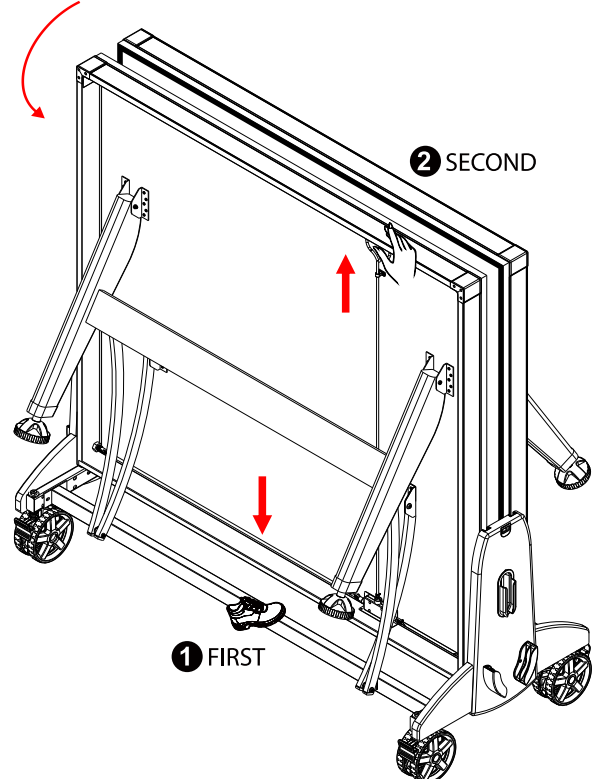


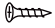

**FIG.12**

**Note:**

1. Step on the undercarriage (the horizontal bar attached to the wheels). Grip the tabletop with your left hand.
2. Pull up on the handle with your right hand to release the lock.
3. **Unfold the table into the play position. Make sure to lower each table half slowly. Do not drop to avoid damage.**

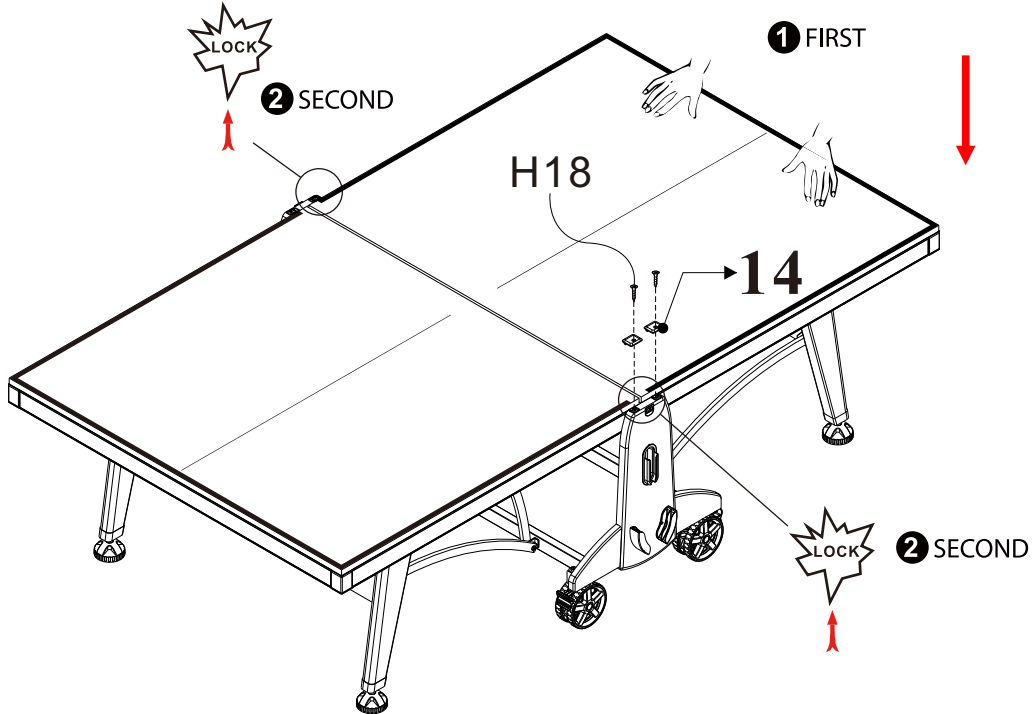
**3 THIRD**



|               |   |   |       |
|---------------|---|---|-------|
| <b>FIG.13</b> |  | 1/8"x1/2"   | 4 PCS |
|               | <b>T5</b>   |  |       |



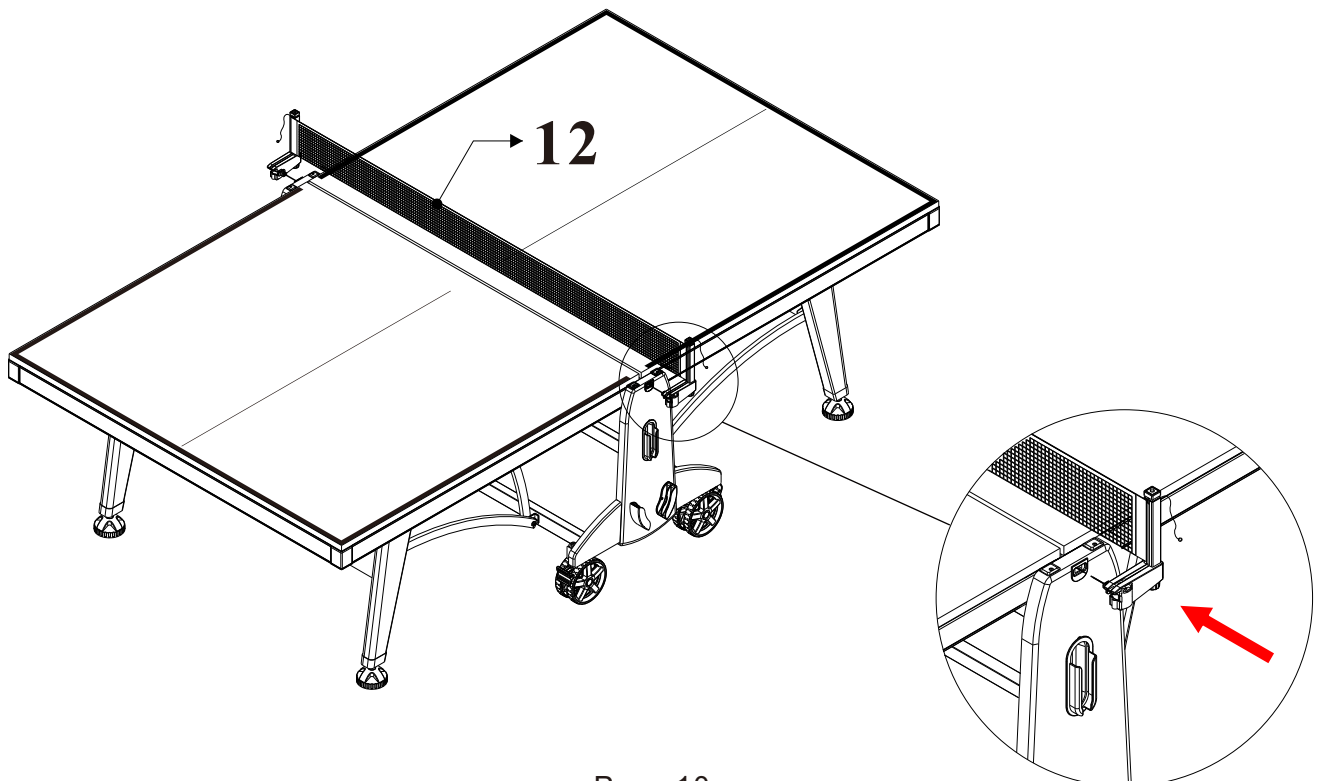
**Note:** Be sure that the table is in a fully locked position. (You will hear a click sound when the table is fully locked.)  
Install part 14 as shown in the illustration.



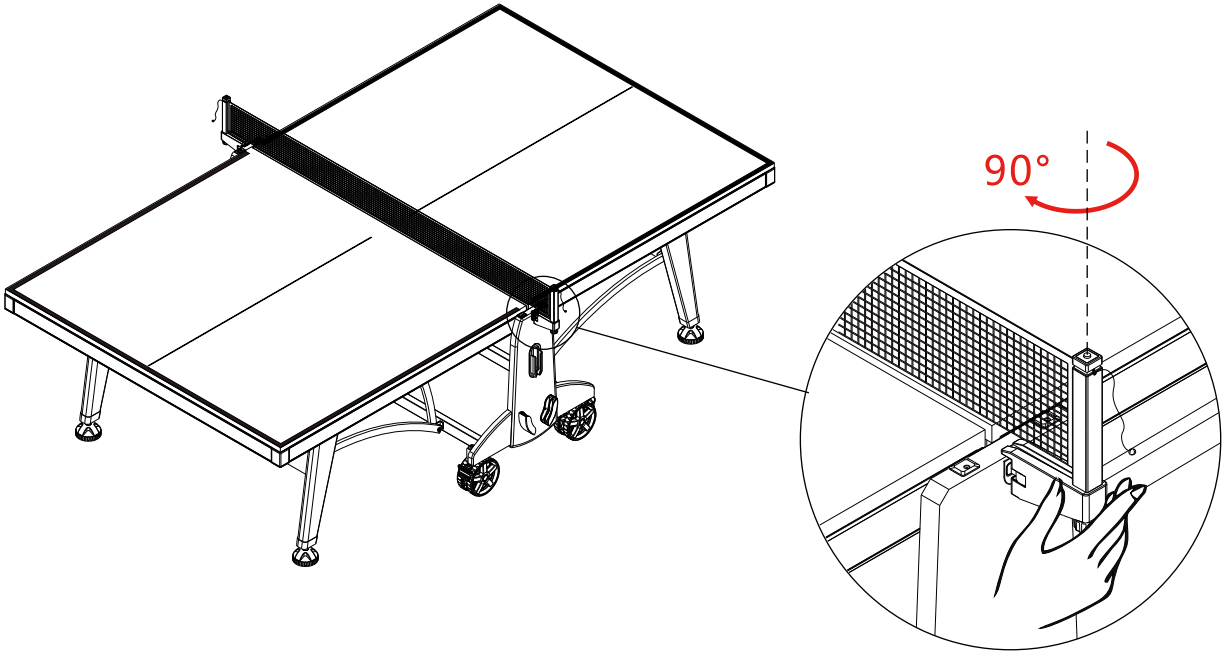
**FIG.14**

**Note:**

1. Insert the net set on the left side into the hole of the undercarriage. Fold the net set 90 degrees to loosen the net rope.
2. Insert the net set on the right side into the hole of the undercarriage
3. Unfold the net set on the left side back to the original position.

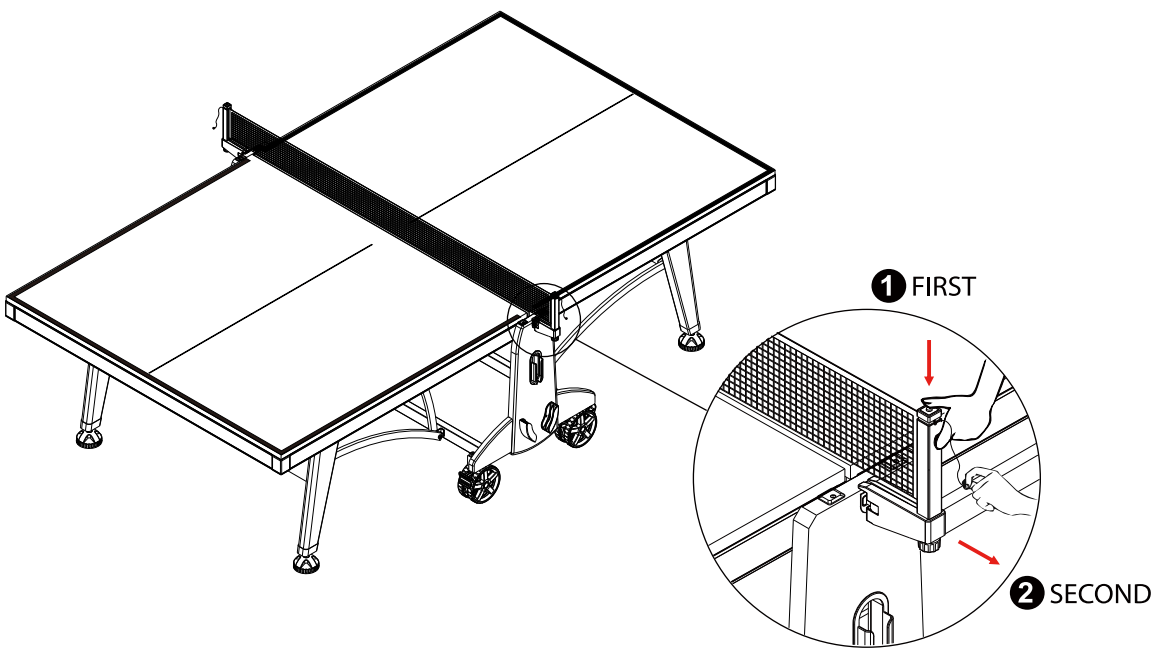


**FIG.15**



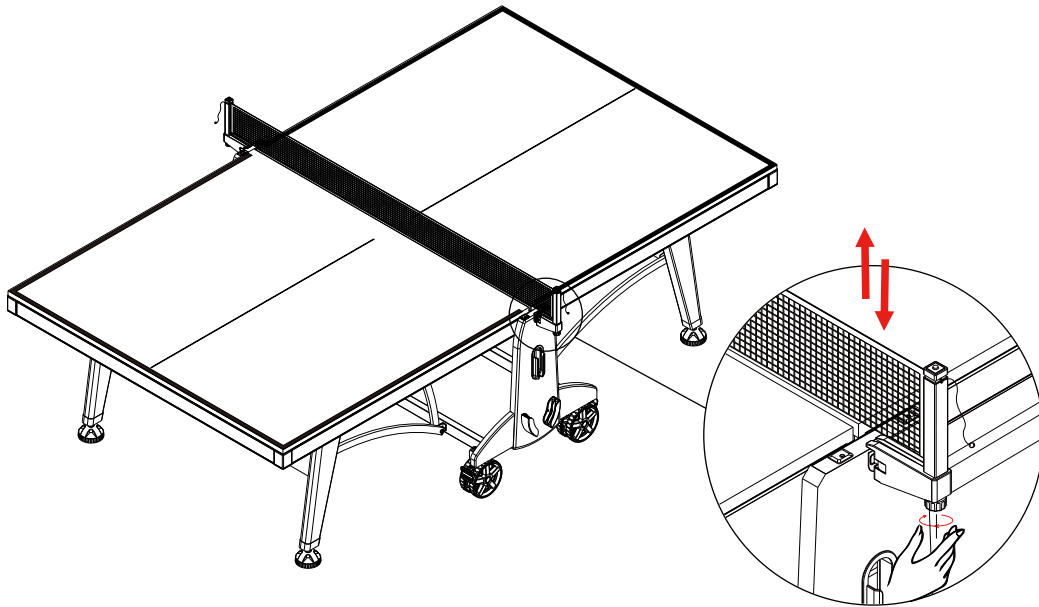
**FIG.16**

**Note:** Push and hold the button on the net post, use the other hand to pull the net string, and tighten the net. Release the button on the net post to lock in place.

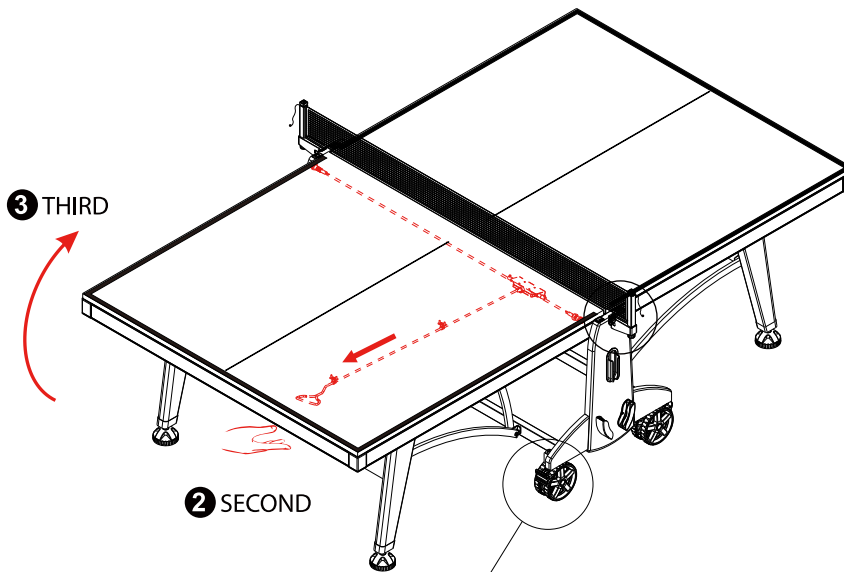


**FIG.17**

**Note:** Adjust the height of the net by rotating the wheel at the bottom of the net set.

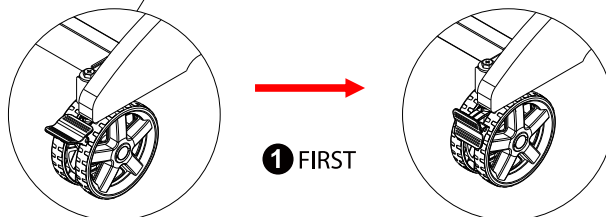


**FIG.18**



**Note:**

1. Lock the casters (wheels).
2. Pull and hold the red handle underneath the table to release the lock.
3. Lift the table up until it is in the full upright position.



# FINISH

